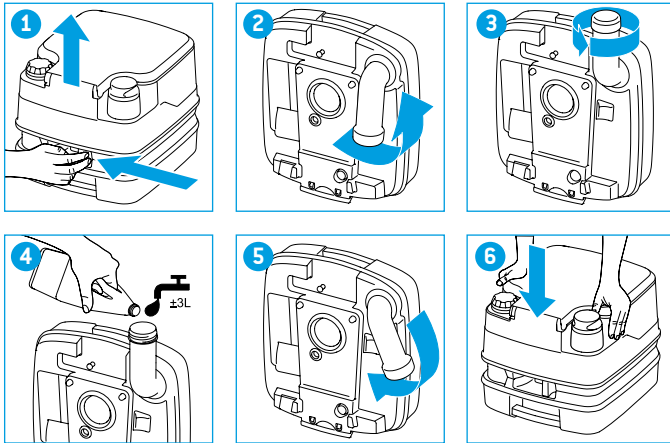


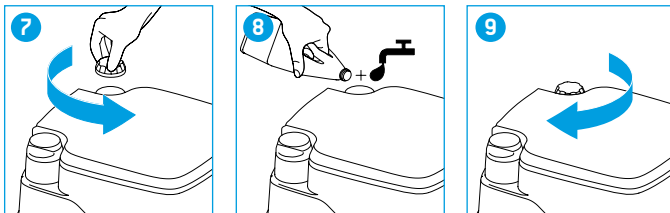


QUICK GUIDE

Preparing waste-holding tank

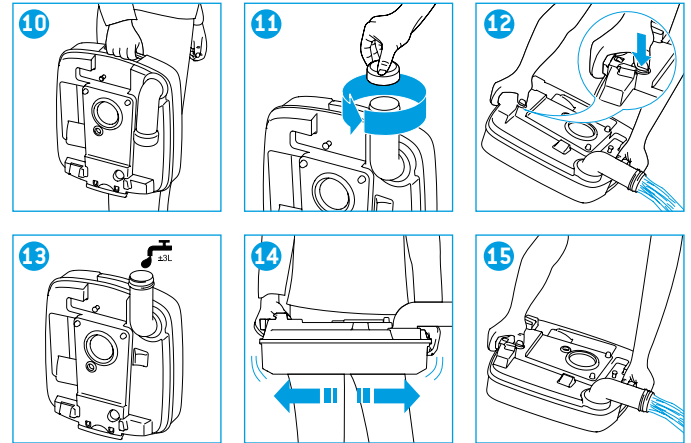


Preparing flush-water tank

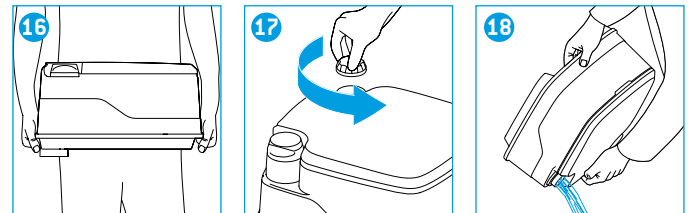


QUICK GUIDE

Emptying waste-holding tank



Emptying flush-water tank



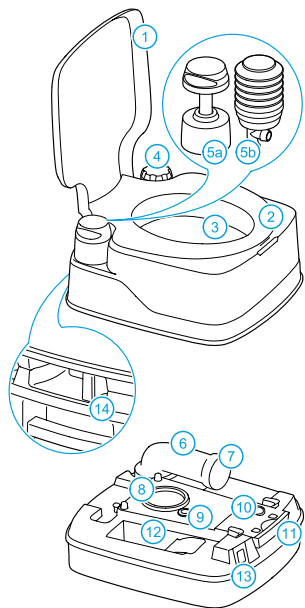


INDEX

GB	6
FR	10
SE	14
ES	18
DK	22
DE	26
NL	30
IT	34
PT	38
NO	42
FI	46
SI	50
SK	54
BG	58
CZ	62
GR	66
HU	70
PL	74
RU	78
UA	82
LV	86
LT	90
CN	94
EE	98
For guarantee/service	102

GB • INSTRUCTIONS FOR USE

Main parts



1 Cover • **2** Seat • **3** Toilet bowl • **4** Water filler cap • **5a** Piston pump • **5b** Bellow pump • **6** Pour out spout • **7** Cap pour out spout • **8** Lip seal • **9** Vent seal • **10** Vent button • **11** Valve handle • **12** Storage for toilet fluids • **13** Level indicator waste-holding tank (dependent on model) • **14** Clasp

1 Introduction

Congratulations on selecting this Thetford portable toilet! You have made an excellent choice. This portable toilet is user-friendly, meets high quality standards and gives you all the convenience of home.

Before operating and using this toilet we advise you to read the manual completely. Keep this manual in a safe place for future reference.

For the latest version of the manual please visit www.thetford.eu

Symbols used

- OK
- Tip
- Special attention required
- Caution (possible risk of injury or product damage)

2 Preparing for use

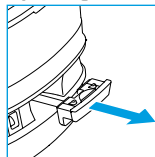
Your portable toilet is made up of two detachable sections, the waste-holding tank and the flush-water tank. Before using this toilet, it is vital that you add special additives for portable toilets to both tanks [see last page]. Check the correct dosage on the additive package and look on the packaging of the toilet for the capacity of the tanks. Then add 3L of water to the waste-holding tank and fill the flush-water tank to the top.

See 'Quick Guide' pictures 1-9 for visual reference.

Never add toilet additives directly via the blade as this could damage the lip seal of the waste-holding tank. Only fill the waste-holding tank via the pour out spout.

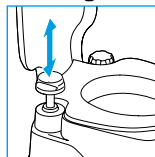
3 Use of your toilet

Opening the blade



The toilet may be used with the blade open or closed. To open the blade, pull the valve handle as described. Always close the blade after use.

Flushing the toilet



You can achieve the most effective flush by operating the pump with three or four short flushes.

Do not use ordinary toilet paper (see last page), as this may cause clogging.

4 Emptying the tank

Waste-holding tank

When the waste-holding tank is full, disconnect the flush-water tank from the waste-holding tank. Take your waste-holding tank to an authorized waste disposal point and empty it via the pour out spout.

See 'Quick Guide' pictures 10-15 for visual reference.

To empty the tank without splashing, press and hold the vent button with your thumb while the pour out spout is pointing downwards.

If you want to continue using your toilet after emptying, prepare the waste-holding tank again.

Flush-water tank

Only empty the flush-water tank if you don't expect to use your toilet for a long [winter] period. First empty the tank through the water fill opening, then, to empty the tank completely, pump the last drops of water out of the pump. Emptying is only allowed at an authorized waste disposal point.

See 'Quick Guide' pictures 16-18 for visual reference.

5 Cleaning

Just like your toilet at home, it is important to clean the portable toilet regularly. You will prevent calcium deposits and ensure optimal hygiene. Clean the inside of the bowl and the outside of the toilet with special cleaning products for portable toilets [see last page].

Never use household cleaners to clean your portable toilet. These may cause permanent damage to the seals and other toilet components.

6 Winter use

You can use your toilet as normal in cold weather as long as the toilet is situated in a heated location. If not, and there may be a risk of frost, we advise you not to use your toilet and to completely empty the waste-holding tank as well as the flush-water tank.

7 Maintenance

To prolong the life span of your toilet, we advise you to maintain your toilet regularly. Clean your waste-holding tank two to three times a year and treat the seals with special lubricant when the seals become dry (see last page).



Never use Vaseline or vegetable oil to lubricate the seals as these may cause leakage to the waste-holding tank.

8 Storage

If you don't expect to use your toilet for a long (winter) period, you have to thoroughly empty, clean and dry the whole toilet. This is also a good time to maintain on your toilet.

During storage we advise leaving the blade open to prevent damage to the blade and to loosen the water filler cap to ventilate the flush-water tank.

9 Disposal

Your product has been designed and manufactured with high quality materials and components, which can be recycled and reused. When your toilet has reached its end of life, dispose the product according the local rules. Do not dispose the toilet with the normal household waste.

The correct disposal of your old product will help prevent potential negative consequences for the environment and human health.

10 Questions?

If you require further information about your toilet, please visit our website: www.thetford.eu. If you still have questions, please contact the Customer Service Department either in your country or your holiday location (see the addresses on the back).

For correct and efficient support, please ensure all relevant product type information is available (see page 102).

Spare parts

Original Thetford spare parts are available through your own dealer or authorised Thetford Service Centre.

FAQ

What do I need to do when the level indicator of the waste-holding tank doesn't work? Check whether the float in the waste-holding tank is still in place or whether dirt is obstructing its function.

What do I need to do if the blade doesn't open? Travelling may cause overpressure in the tank. Unscrew the cap of the pour out spout and slowly pull the blade handle sideways.

11 Warranty

Thetford BV offers end users of its portable toilets a three-year guarantee. In the case of malfunction within the warranty period, Thetford will offer a replacement or repair the product at its discretion.

1. To make a claim under this guarantee, the user must take the product to the point of sale or an authorized Thetford Service Centre (www.thetford.eu). The claim will be assessed there.
2. Components replaced during repair under guarantee become the property of Thetford.
3. This warranty does not prejudice current consumer protection laws.
4. Guarantee claims falling into one of the following categories will not be accepted:
 - the product has been improperly used, or the instructions in the manual have not been followed (for example incorrect use of additives);
 - alterations have been made to the product;
 - the product code or serial ID has been changed;
 - the product has been damaged by circumstances outside the normal use of the product.
5. Not using Thetford products to care for your Thetford toilet could create some damage, which would not be covered by this warranty.

Thetford is not liable for any loss and/or damage, caused directly or indirectly by use of the toilet.

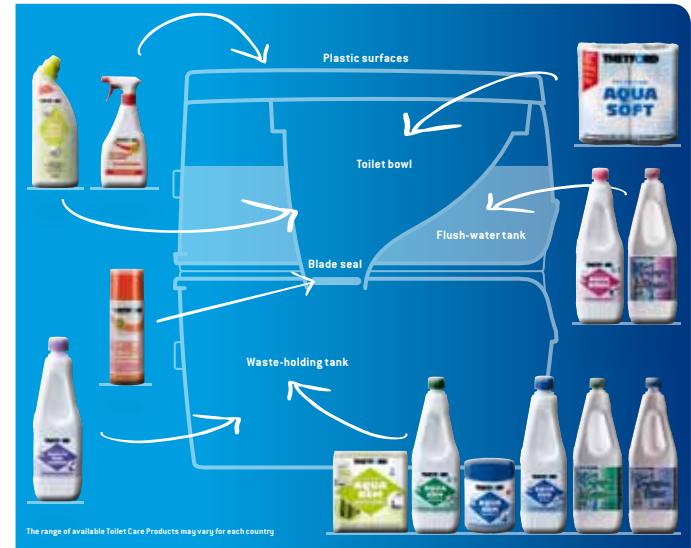
Thetford is not responsible for printing errors and reserves the right to make changes to product specifications without notice.

FOR GUARANTEE/SERVICE

- GB** For service/guarantee requests, please identify your toilet.
- FR** Pour toute demande de service/garantie, veuillez identifier vos toilettes.
- SE** För service/garantianspråk, identifiera din toalett.
- ES** Para la solicitud de servicio/garantía, identifique su inodoro.
- DK** Notér data om dit toilet til brug ved service/garanti.
- DE** Bitte identifizieren Sie Ihre Toilette für Reparaturen/Garantiefragen.
- NL** Noteer hier de gegevens van uw toilet in geval van vragen over reparatie/garantie.
- IT** Per richieste di garanzia/assistenza, vi preghiamo di identificare la vostra toilette.
- PT** Para pedidos de serviço/garantia identifique a sua sanita.
- NO** Vennligst identifiser ditt toalett i forbindelse med service-/garantispørsmål.
- FI** Merkitse WC:n tiedot huolto/takuupyynnöjää varten.
- SI** Za servisiranje/garancijske zahtevke navedite identifikacijo svojega straniša.
- SK** Ak žiadate o servis / záruku, identifikujte svoju toaletu.
- BG** За запитвания относно обслужването/гарантията, моля идентифицирайте вашата тоалетна.
- CZ** Pokud žádáte o servis/záruku, identifikujte vaši toaletu.
- GR** Για τα αιτήματα των υπηρεσιών / εγγύηση, παρακαλείσθε να προσδιορίσετε την τουαλέτα σας.
- HU** Szerviz és garancia kérelmeknél, kérjük azonosítsa toalettjét.
- PL** W przypadku zgłoszeń serwisowych/gwarancyjnych, proszę określić swoją toaletę.
- RU** Для запросов на обслуживание/гарантию укажите Ваш туалет.
- UA** За вимогою сервісного центру, будь ласка, ідентифікуйте Ваш туалет.
- LV** Iesniedzot apkopes/garantijas pieprasījumus, lūdzam identificēt jūsu tualeti.
- LT** Pageidudami aptarnavimo/garantijos, nurodykite savo tualetą.
- CN** 有任何保修服务问题,请提供马桶条形码确认信息。
- EE** Hoolduse/garantii jaoks tehke palun kindlaks oma tualeti mark.



Which Thetford Toilet Care products do I need?



Use only Thetford products

THETFORD
www.thetford.eu

Campa Potti
www.campapotti.com



Thetford is the only brand in Europe with both Milieukeur (Aqua Rinse, Aqua Kem Green, Campa Rinse and Campa Green) and der Blaue Engel (Dutch and German environmental quality labels) and the preferred toilet care brand for the environmentally conscious consumer!
The range of available Toilet Care products may vary for each country.

Thetford B.V.

Nijverheidsweg 29
 Postbus 169
 4870 AD Etten-Leur
 Nederland
 T +31 (0)76 5042200
 F +31 (0)76 5042300
 E info@thetford.eu

Thetford Ltd.

Unit 19
 Parkwood Industrial
 Estate
 Oakham Drive
 Sheffield, South Yorkshire
 S3 90X, England
 T +44 (0)114 273 8157
 F +44 (0)114 275 3094
 E infogb@thetford.eu

Thetford GmbH

Schallbruch 14
 42781 Haan
 Deutschland
 T +49 (0)2129 94250
 F +49 (0)2129 942525
 E infod@thetford.eu

Thetford S.A.R.L.

Bâtiment le Californie
 11, Rue Rosa Luxembourg
 BP 40204 Eragny sur Oise
 95614 Cergy Pontoise
 Cedex
 France
 T +33 (0)1 30 37 58 23
 F +33 (0)1 30 37 97 67
 E infof@thetford.eu

Thetford Italy c/o**Tecma s.r.l.**

Via Flaminia
 Loc. Castel delle Formiche
 05030 Otricoli (TR)
 Italia
 T +39 0744 709071
 F +39 0744 719833
 E infoi@thetford.eu

Mercé Grau Solà

Agente para España y
 Portugal
 C/Libertat
 103-105 Baixos
 08800 Vilanova i la Geltrú
 Barcelona
 España
 T +34 (9)3815 4389
 F +34 (9)3815 6106
 E infosp@thetford.eu

Thetford B.V.

Representative Office
 Scandinavia
 Hönekullavägen 13
 43544 Mölnlycke
 Sverige
 T +46 (0)31 336 35 80
 F +46 (0)31 448 570
 E infos@thetford.eu

THETFORD
 www.thetford.eu