



MAXxAIR
VENTILATION SOLUTIONS

**VENTS
FANS &
HATCHES
RANGE**

MAXXFAN PLUS & MAXXFAN DELUXE

MaxxAir has been manufacturing ventilation systems for the Caravan and RV market since 1988. Exclusively available through Coast to Coast, the MaxxFan Plus and the MaxxFan Deluxe ranges offers both manual or electric opening options. The MaxxFan range also comes equipped with a user-friendly features such as ceiling-mounted control panel, remote operation and rain sensor auto close function. MaxxFan simplifies RV ventilation like never before.

Key Features:

Powerful 10-Speed Fan Motor:

Enjoy efficient and customizable ventilation with options for "intake" and "exhaust" modes.

Lid Operation:

Available in manual or electric models with rain sensor technology and remote control.

High Airflow:

Provides over 900 CFM, ensuring a cool and comfortable living space.

Removable Flyscreen:

Easily clean the flyscreen by twisting the L-clamps for removal.

Universal Installation:

Fits all standard 14" x 14" (356mm x 356mm) roof openings.



MAXXFAN PLUS WITH THERMOSTAT & MANUAL LIFT

Product Code: 650-03010



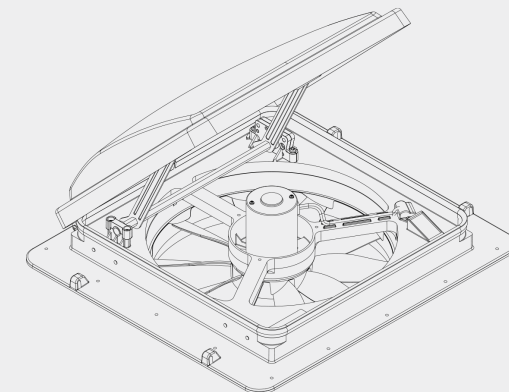
MAXXFAN PLUS WITH THERMOSTAT POWER LIFT, RAIN SENSOR & REMOTE

Product Code: 650-03012



SPECIFICATIONS

Amp Draw on High:	2.6A
Amp Draw on Low:	0.17A
Dimensions (closed):	461L x 420W x 97H (mm)
Dimensions (open):	461L x 420W x 311H (mm)
Installed Weight:	4.1kg
Roof Thickness:	50mm (min) – 110mm (max)



MAXXFAN DELUXE MANUAL WITH RAIN DOME

Product Code: 650-03014



MAXXFAN DELUXE POWER LIFT & REMOTE WITH RAIN DOME

Product Code: 650-03016



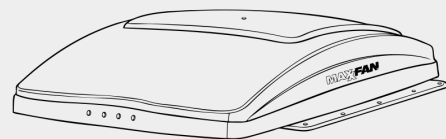
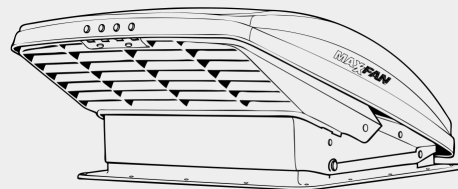
MAXXFAN DELUXE POWER LIFT & REMOTE WITH SMOKE RAIN DOME

Product Code: 650-03018



SPECIFICATIONS

- Amp Draw on High: 2.5A
- Amp Draw on Low: 0.16A
- Dimensions (closed): 589L x 421W x 128H (mm)
- Dimensions (open): 589L x 421W x 230H (mm)
- Installed Weight: 5.4kg
- Permanent Airflow: 82cm²
- Roof Thickness: 25mm (min) – 90mm (max)



MAXXSHADE STANDARD SUIT MAXXFAN

Product Code: 650-03080



MAXXSHADE PLUS WITH LED LIGHTING 12V SUIT MAXXFAN

Product Code: 650-03082



FEATURES

- Easy to install
- Easily upgrade 14" x 14" rooftop vents or fans with a Maxxshade
- Blocks heat, sunlight & UV rays
- Retractable spring-loaded roller shade with secure closure
- Features Cool White LED accent lighting

SPECIFICATIONS

- Frame Colour: WHITE
- Amp Draw: 1.2A (Plus Model Only)
- Permanent Airflow: 211.5cm²
- Roof Opening: 356mm x 356mm
- Overall Size: 475mm x 493.5mm x 40.4mm

**Maxxshade works with both non-powered and powered fans;*

Maxxshade Plus, which has the additional feature of built-in LED lights, is compatible with 12V fans only.

SKYMAXX SKYLIGHT WITH INTERNAL BLIND (23/60MM) 400 X 400MM

Product Code: 650-03020

SKYMAXX PLUS SKYLIGHT WITH INTERNAL BLIND (23/60MM) & LED 400 X 400MM

Product Code: 650-03022



FEATURES

- Skymaxx - Non-LED
- Skymaxx Plus - LED
- Manual lift with 3 open positions
- Pleated screen & shade provides options of full sun-full shade, partial sun/shade
- Fits 15.75" x 15.75" (400mm x 400mm) opening
- Sized for 0.90" to 2.36" (23mm to 60mm) roof thicknesses with no cutting required
- Permanent Airflow: 38.75cm²
- Optional passive ventilation
- White interior frame
- LED operates on 12 VDC, 2 amp service
- RoHS compliant

**3 Function internal blind included.*



Fully Open

Screen Only

Shade Only

SKYMAXX LX SKYLIGHT WITH INTERNAL BLIND (23/42MM) 700 X 500MM

Product Code: 650-03026

SKYMAXX LX PLUS SKYLIGHT WITH INTERNAL BLIND (23/42MM) & LED 700 X 500MM

Product Code: 650-03028

SKYMAXX LX SKYLIGHT WITH INTERNAL BLIND (42/60MM) 700 X 500MM

Product Code: 650-03030

SKYMAXX LX PLUS SKYLIGHT WITH INTERNAL BLIND (42/60MM) & LED 700 X 500MM

Product Code: 650-03032



FEATURES

- Skymaxx LX - Non-LED
- Skymaxx LX Plus - LED
- Manual lift with 4 open positions
- Pleated screen & shade provides options of full sun-full shade, partial sun/shade
- Fits 27.5" x 19.70" (700mm x 500mm) opening
- Sized for 0.90" to 2.36" (23mm to 60mm) roof thicknesses with no cutting required
- Permanent Airflow: 77.50cm²
- Optional passive ventilation
- White interior frame
- LED operates on 12 VDC, 2 amp service
- RoHS compliant

**3 Function internal blind included.*



Fully Open

Screen Only

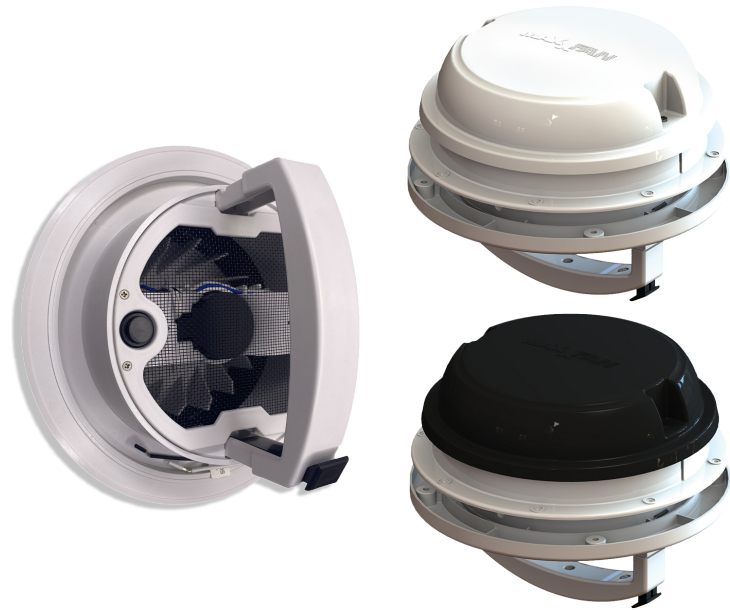
Shade Only

MAXXFAN DOME WHITE 12V WITH EXHAUST FAN

Product Code: 650-03100

MAXXFAN DOME BLACK 12V WITH EXHAUST FAN

Product Code: 650-03102



FEATURES

- Designed for rooftop or sidewall ventilation applications 6" exhaust only fan with manual lift lid
- Locking lid with single-hand push button operation
- Removable screens make cleaning a breeze
- Designed for 1" roof thicknesses - an extensions of up to 6" is also included

Matching fan guard included. Fan guard acts as a rain shield and protects your interior from weather and debris. Additionally, the fan guard provides protection from accidental contact with the fan blades

SPECIFICATIONS

- Cutout Dimensions: 6.25"
- Built-In Rain Cover: Yes
- Fan Speeds: 1
- Intake and Exhaust: Exhaust Only
- Controls at Ceiling: Yes



After

MAXXFAN DOME PLUS LED WHITE 12V WITH EXHAUST FAN

Product Code: 650-03110

MAXXFAN DOME PLUS LED BLACK 12V WITH EXHAUST FAN

Product Code: 650-03112



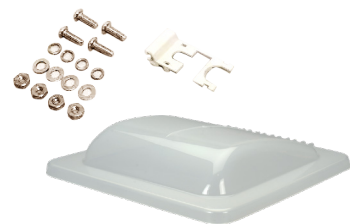
LED-12V

Before

PUSH BUTTON

**UNIMAXX UNIVERSAL
VENT LID
REPLACEMENT
KIT WHITE**

Product Code: 650-00260



**UNIMAXX UNIVERSAL
VENT
REPLACEMENT
LID ONLY WHITE**

Product Code: 650-00264



**UNIMAXX UNIVERSAL
VENT LID
REPLACEMENT
KIT BLACK**

Product Code: 650-00262



**UNIMAXX UNIVERSAL
VENT
REPLACEMENT
LID ONLY BLACK**

Product Code: 650-00266



MAXXAIR STANDARD VENT COVER

Product Code: 650-04020



FEATURES

- Prevents Heat Buildup in your RV
- Proven SUPER-TOUGH one piece design
- Mounts to all existing 14" x 14" roof vents INCLUDING the new Ventline E-Z Lift Ventadome

**Not recommended for High-Powered Fans like MAXXFAN, MAXXFAN Plus Fans, ShurFlo Fan or Fantastic Fan.*

Natural light and fresh air the basic fundamentals to the richness of our individual lives and our unique living environments. Light and fresh air create within us a variety of moods that often make any surrounding an oasis.

While enjoying time with family, neighbours or just simply relaxing, MAXXAIR's range of fans, vents, hatches and skylights can add so much function, drama, balance and ventilation to any environment.



MAXAIR Proudly Distributed in
Australia and New Zealand By



Coast to Coast
CARAVAN & LEISURE

